

40V HIGH CURRENT LOW LEAKAGE SCHOTTKY DIODE

Features

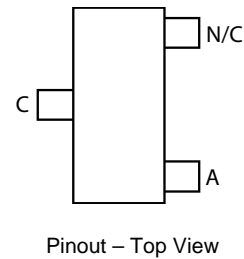
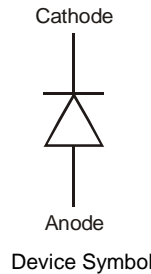
- Low Equivalent on Resistance
- Extremely Low Leakage (typically 6 μ A @30V)
- High current capability ($I_F = 1.16A$)
- Low V_F , Fast Switching Schottky
- SOT23 Package
- ZLLS1000 Complements Low Temperature Equivalent ZHCS1000
- Package Thermally Rated to +150°C
- **Totally Lead-Free & Fully RoHS Compliant (Notes 1 & 2)**
- **Halogen and Antimony Free. "Green" Device (Note 3)**
- **Qualified to AEC-Q101 Standards for High Reliability**

Mechanical Data

- Case: SOT23
- UL Flammability Rating 94V-0
- Moisture Sensitivity: Level 1 per J-STD-020
- Terminals: Matte Tin Finish
- Weight: 0.008 grams (Approximate)

Applications

- DC – DC Converters
- Strobes
- Mobile Phones
- Charging Circuits
- Motor Control

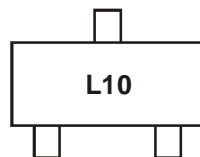


Ordering Information

Product	Marking	Reel size (inches)	Tape width (mm)	Quantity per reel
ZLLS1000TA	L10	7	8	3,000 units
ZLLS1000TC	L10	13	8	10,000 units

- Notes:
1. No purposely added lead. Fully EU Directive 2002/95/EC (RoHS) & 2011/65/EU (RoHS 2) compliant.
 2. See <http://www.diodes.com> for more information about Diodes Incorporated's definitions of Halogen- and Antimony-free, "Green" and Lead-free.
 3. Halogen- and Antimony-free "Green" products are defined as those which contain <900ppm bromine, <900ppm chlorine (<1500ppm total Br + Cl) and <1000ppm antimony compounds.

Marking Information



L10 = Product type Marking Code

Maximum Ratings (@T_A = +25°C, unless otherwise specified.)

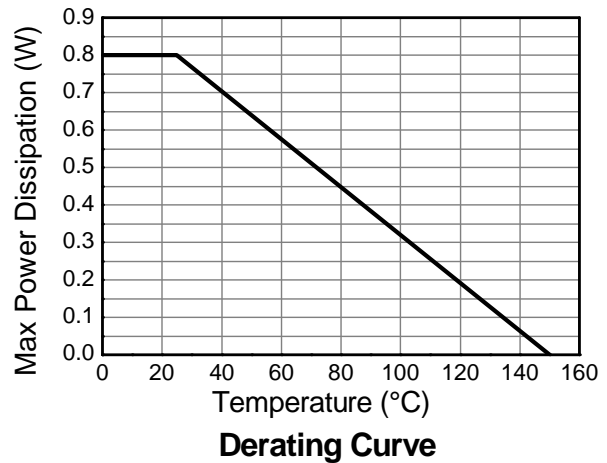
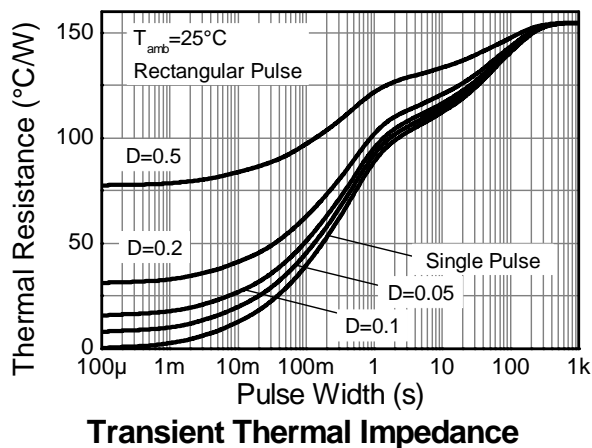
Characteristic	Symbol	Value	Unit
Continuous Reverse Voltage	V _R	40	V
Forward Current	I _F	1.16	A
Peak Repetitive Forward Current	I _{FPK}	2.6	A
Rectangular Pulse Duty Cycle 50% 100µs pulse width			
Non Repetitive Forward Current	I _{FSM}	22	A
		6.4	A

Thermal Characteristics

Characteristic	Symbol	Value	Unit
Power Dissipation @T _A = +25°C	P _D	0.8	W
Single Die Continuous		1.18	
Single Die Measured at t<5 secs			
Thermal Resistance Junction to Ambient (Note 4)	R _{θJA}	155	°C/W
Thermal Resistance Junction to Ambient (Note 5)	R _{θJA}	106	°C/W
Thermal Resistance Junction to Lead (Solder Point)	R _{θJL}	80	°C/W
Storage temperature range	T _{STG}	-55 to +150	°C
Junction temperature	T _J	150	°C

Notes: 4. For a device surface mounted on 25mm x 25mm FR4 PCB with high coverage of single sided 1oz copper, in still air conditions.
5. For a device mounted on FRB PCB measured at t<5secs.

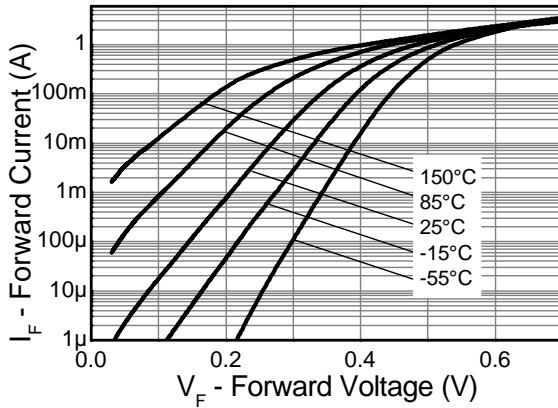
Thermal Characteristics and Derating information



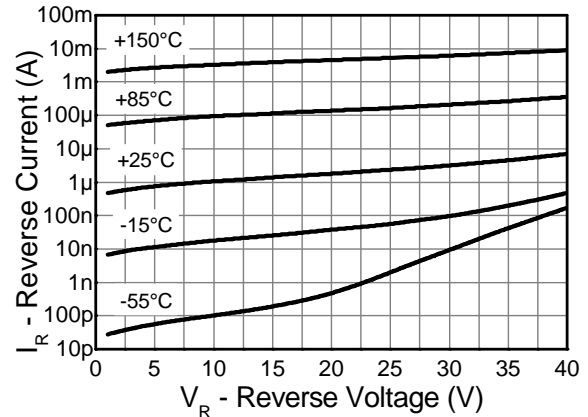
Electrical Characteristics (@T_A = +25°C, unless otherwise specified.)

Characteristic	Symbol	Min	Typ	Max	Unit	Test Condition
Reverse breakdown voltage	V _{(BR)R}	40	-	-	V	I _R = 500μA
Forward voltage (Note 6)	V _F	-	320	355	mV	I _F = 50mA
			335	380		I _F = 100mA
			380	425		I _F = 250mA
			410	460		I _F = 500mA
			440	510		I _F = 750mA
			470	560		I _F = 1A
			530	660		I _F = 1.5A
			430	-		I _F = 1000mA, T _A = +100°C
Reverse current	I _R	-	5 500	20 -	μA μA	V _R = 30V V _R = 30V, T _A = +85°C
Diode capacitance	C _D	-	28	-	pF	f = 1MHz, V _R = 30V
Reverse recovery time	t _{rr}	-	5	-	ns	Switched from I _F = 500mA to V _R = 5.5V
Reverse recovery charge	Q _{rr}	-	350	-	nC	Measured @ I _R 50mA. di/dt = 500mA/ns. R _{source} = 6Ω; R _{load} = 10Ω

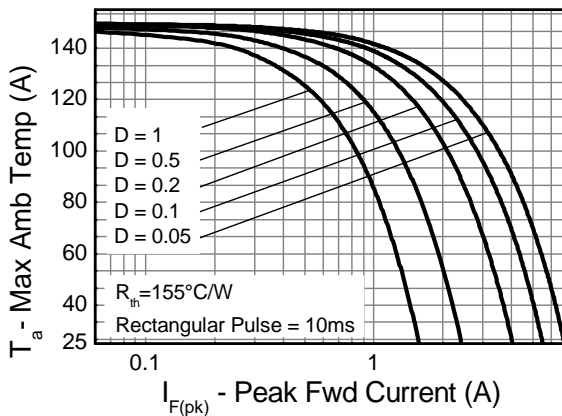
Notes: 6. Measured under pulsed conditions. Pulse width = 300μs. Duty cycle < 2%



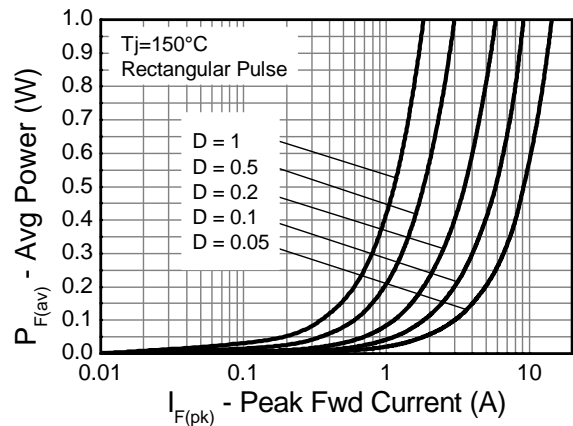
Typical Forward Characteristics



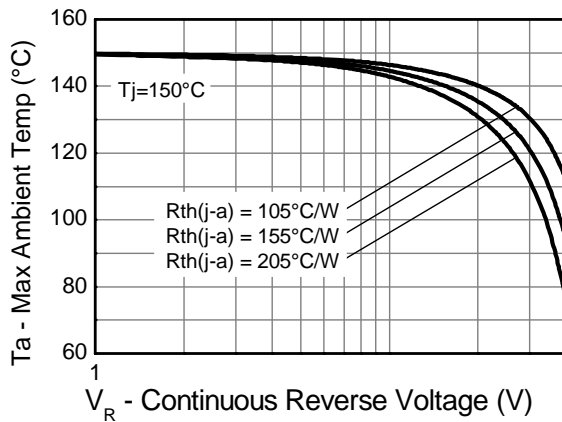
Typical Reverse Characteristics



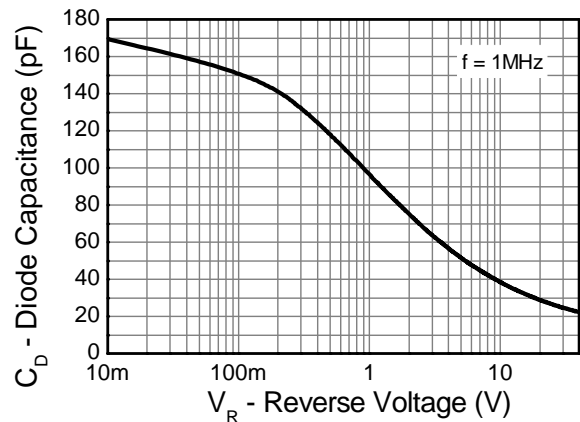
Typical Forward Safe Operating Area



Forward Power vs Peak Current

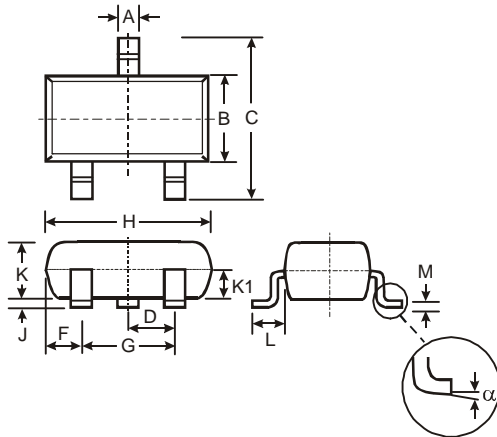


Typical Reverse Safe Operating Area



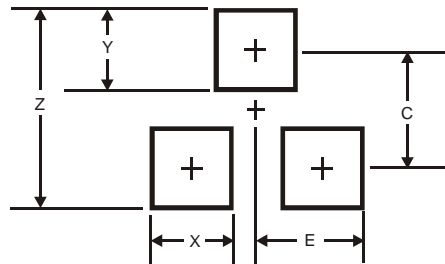
Capacitance vs Reverse Voltage

Package Outline Dimensions



SOT23			
Dim	Min	Max	Typ
A	0.37	0.51	0.40
B	1.20	1.40	1.30
C	2.30	2.50	2.40
D	0.89	1.03	0.915
F	0.45	0.60	0.535
G	1.78	2.05	1.83
H	2.80	3.00	2.90
J	0.013	0.10	0.05
K	0.903	1.10	1.00
K1	-	-	0.400
L	0.45	0.61	0.55
M	0.085	0.18	0.11
α	0°	8°	-
All Dimensions in mm			

Suggested Pad Layout



Dimensions	Value (in mm)
Z	2.9
X	0.8
Y	0.9
C	2.0
E	1.35

IMPORTANT NOTICE

DIODES INCORPORATED MAKES NO WARRANTY OF ANY KIND, EXPRESS OR IMPLIED, WITH REGARDS TO THIS DOCUMENT, INCLUDING, BUT NOT LIMITED TO, THE IMPLIED WARRANTIES OF MERCHANTABILITY AND FITNESS FOR A PARTICULAR PURPOSE (AND THEIR EQUIVALENTS UNDER THE LAWS OF ANY JURISDICTION).

Diodes Incorporated and its subsidiaries reserve the right to make modifications, enhancements, improvements, corrections or other changes without further notice to this document and any product described herein. Diodes Incorporated does not assume any liability arising out of the application or use of this document or any product described herein; neither does Diodes Incorporated convey any license under its patent or trademark rights, nor the rights of others. Any Customer or user of this document or products described herein in such applications shall assume all risks of such use and will agree to hold Diodes Incorporated and all the companies whose products are represented on Diodes Incorporated website, harmless against all damages.

Diodes Incorporated does not warrant or accept any liability whatsoever in respect of any products purchased through unauthorized sales channel. Should Customers purchase or use Diodes Incorporated products for any unintended or unauthorized application, Customers shall indemnify and hold Diodes Incorporated and its representatives harmless against all claims, damages, expenses, and attorney fees arising out of, directly or indirectly, any claim of personal injury or death associated with such unintended or unauthorized application.

Products described herein may be covered by one or more United States, international or foreign patents pending. Product names and markings noted herein may also be covered by one or more United States, international or foreign trademarks.

LIFE SUPPORT

Diodes Incorporated products are specifically not authorized for use as critical components in life support devices or systems without the express written approval of the Chief Executive Officer of Diodes Incorporated. As used herein:

A. Life support devices or systems are devices or systems which:

1. are intended to implant into the body, or
2. support or sustain life and whose failure to perform when properly used in accordance with instructions for use provided in the labeling can be reasonably expected to result in significant injury to the user.

B. A critical component is any component in a life support device or system whose failure to perform can be reasonably expected to cause the failure of the life support device or to affect its safety or effectiveness.

Customers represent that they have all necessary expertise in the safety and regulatory ramifications of their life support devices or systems, and acknowledge and agree that they are solely responsible for all legal, regulatory and safety-related requirements concerning their products and any use of Diodes Incorporated products in such safety-critical, life support devices or systems, notwithstanding any devices- or systems-related information or support that may be provided by Diodes Incorporated. Further, Customers must fully indemnify Diodes Incorporated and its representatives against any damages arising out of the use of Diodes Incorporated products in such safety-critical, life support devices or systems.

Copyright © 2012, Diodes Incorporated

www.diodes.com